



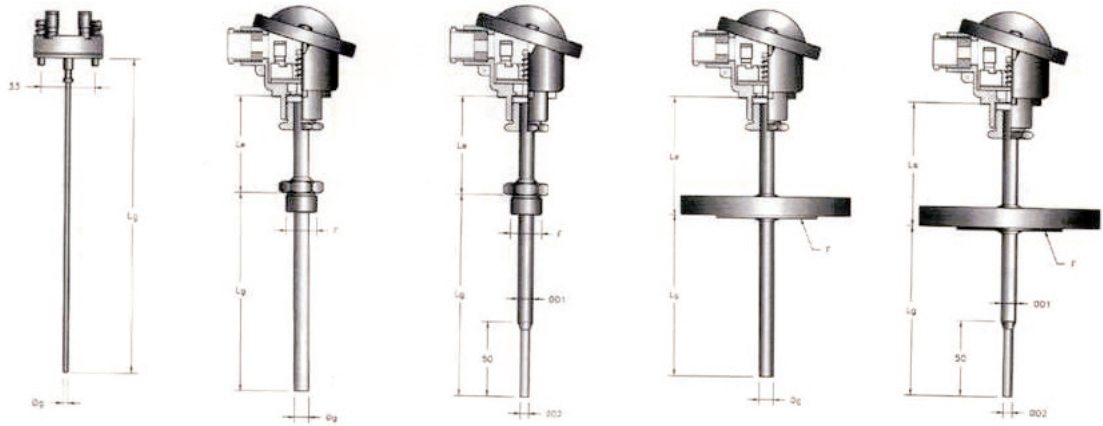
גששי טמפרטורה תעשייתיים INDUSTRIAL TEMPERATURE SENSORS

Heavy Duty Sensor with Terminal Head Mounting and Thermowell

These thermocouple and pt-100 inserts form part of many sensor and thermowell configurations. The assembly can be fitted with either a terminal block or a temperature transmitter both of which can be spring loaded and will fit in to a DIN terminal head.

- Available in thermocouple types: K, T, J, N, E, as simplex or duplex units.
- Available in 2, 3 and 4-wire simplex or duplex configurations. Pt100, Pt500, Pt1000 (option Ptc, Ntc)
- Terminal block or temperature transmitter termination.
- 33mm fixings to suit any DIN terminal head.
- Wide operating temperature ranges

INTEGRAL Spring Loaded Probes Series TE

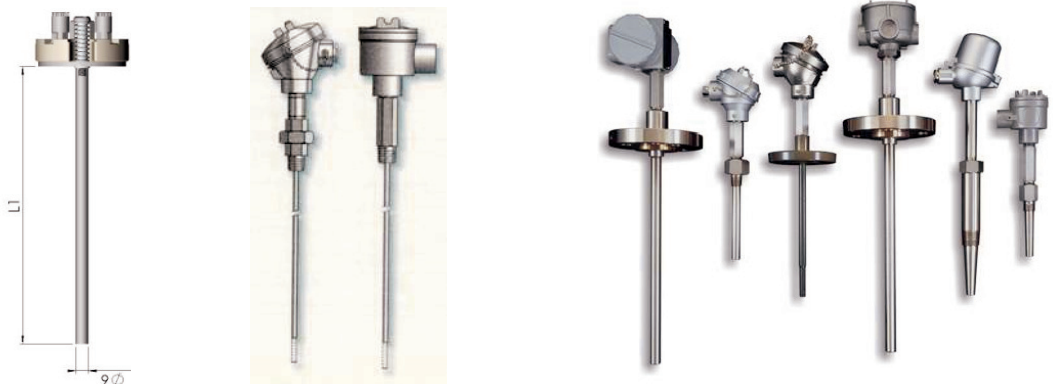


TE10

TE31

TE36

INSERT Spring Loaded Probes Series TI



TI10

TI121 TI120

Series TI with Thermowell